

FIG.1

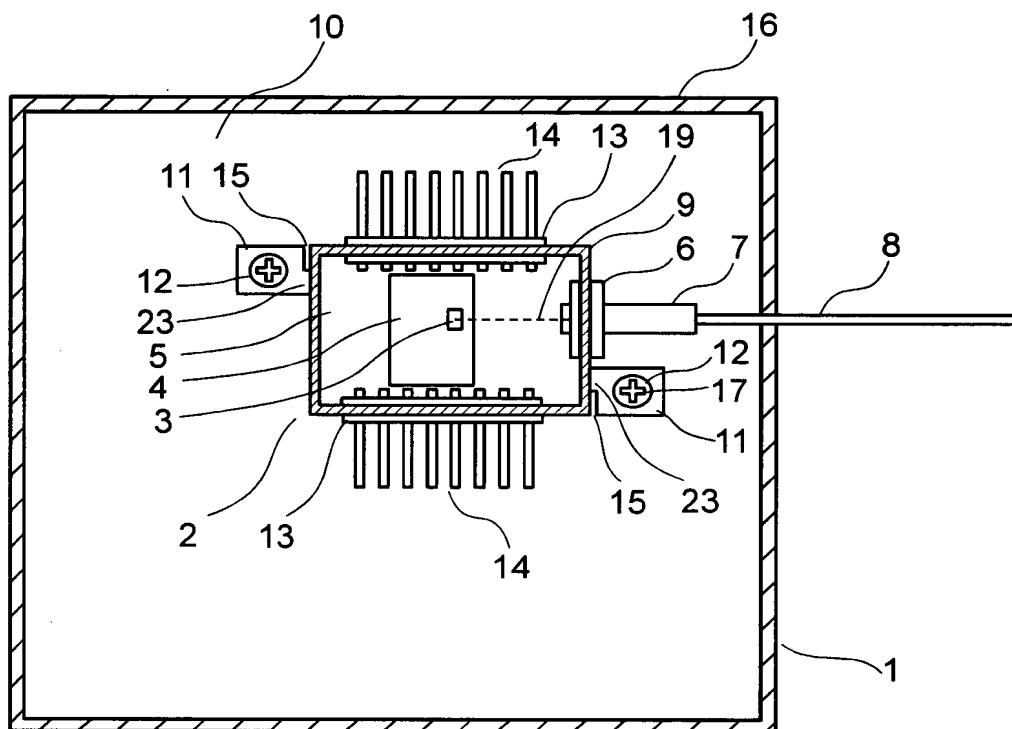


FIG.2

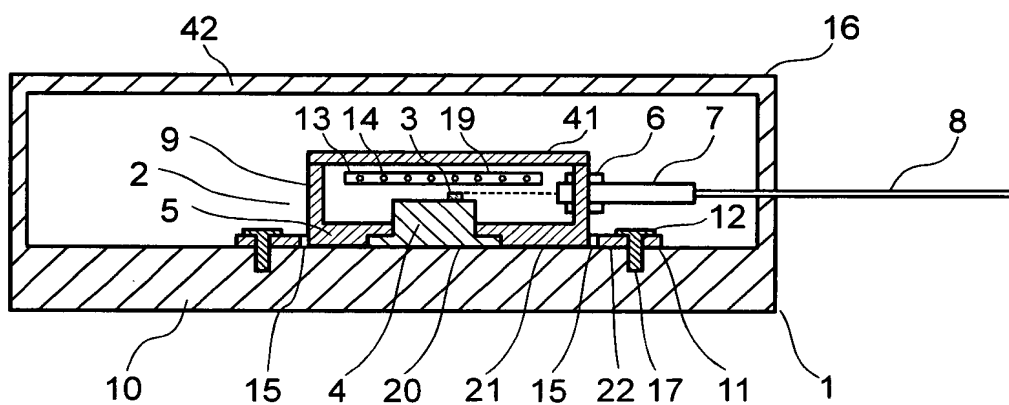


FIG.5

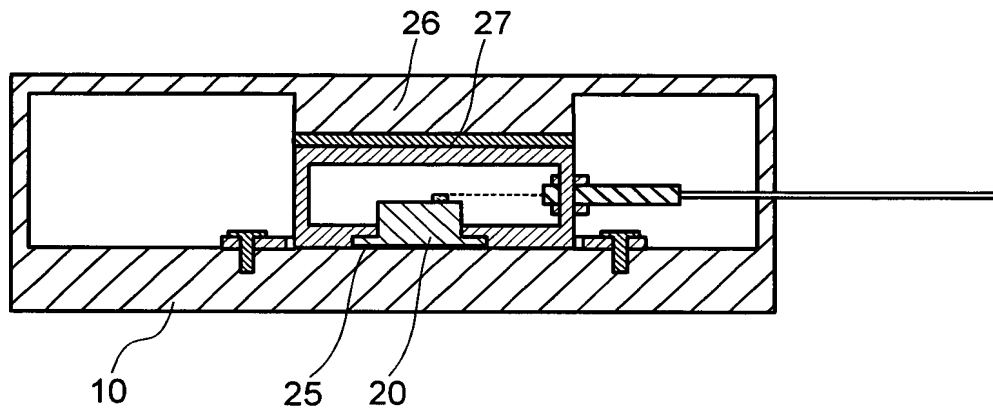
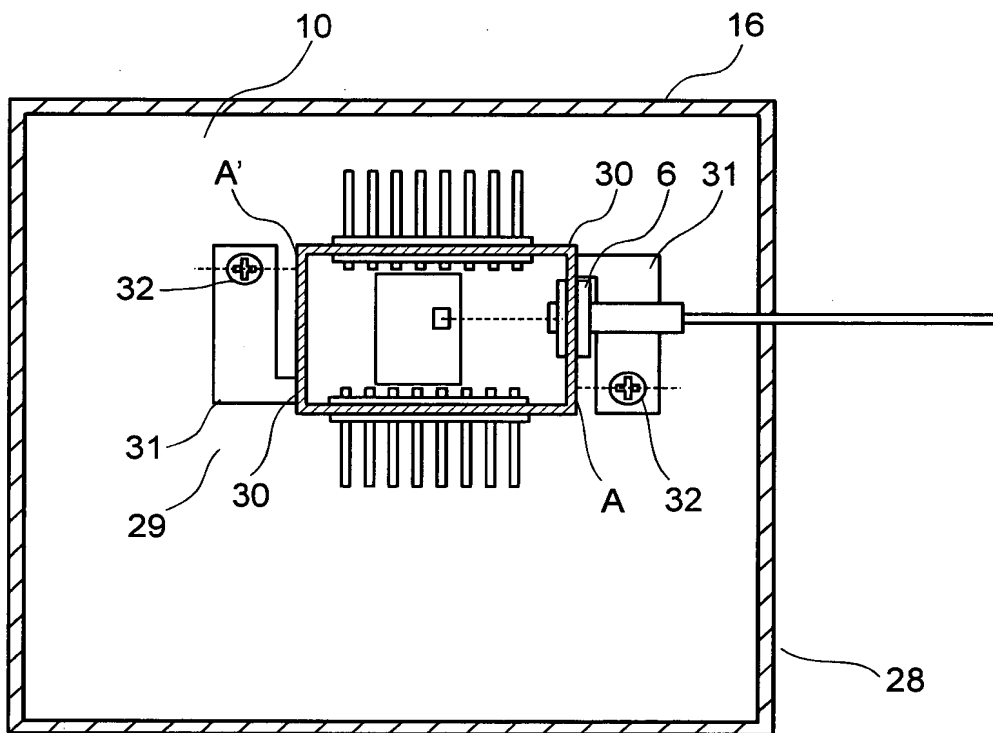


FIG.6



Applicant: Hiroshi MORIYA, et al.

Title: Semiconductor Laser Module and Optical Transmitter

Atty Dock t No. 16869N-085900US

Sheet 4 of 8

FIG.7

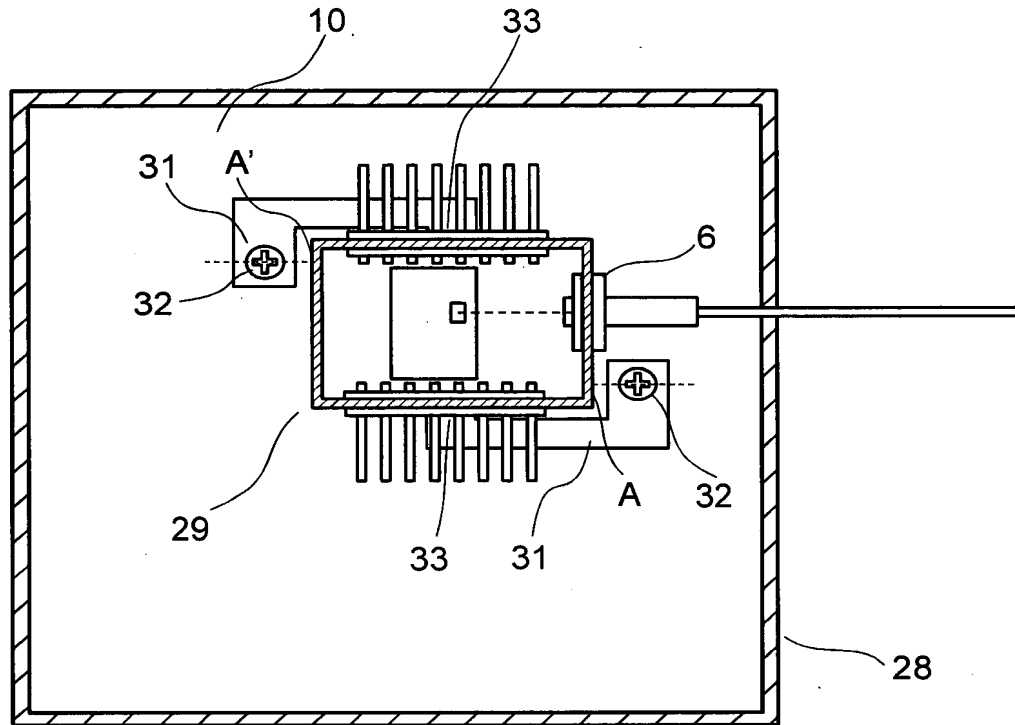
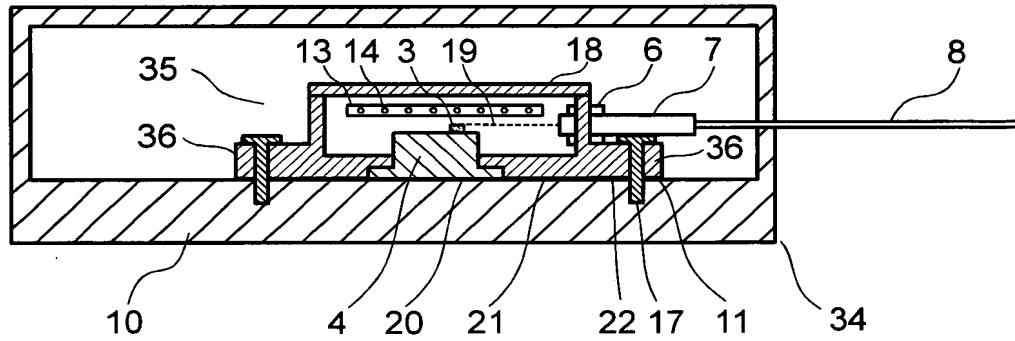


FIG.8



Applicant: Hiroshi MORIYA, et al.

Title: Semiconductor Laser Module and Optical Transmitter

Attorney No. 16869N-085900US

Sheet 5 of 8

FIG.9

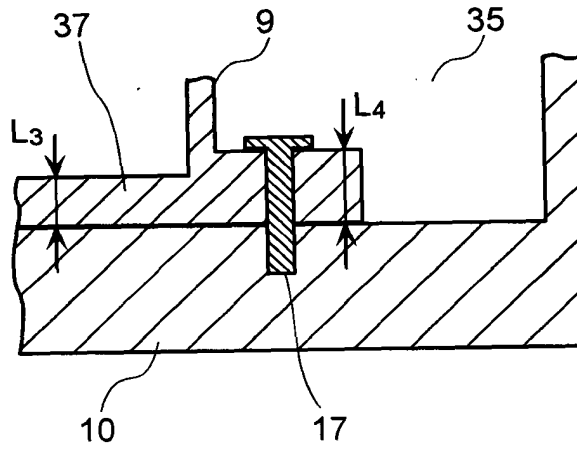
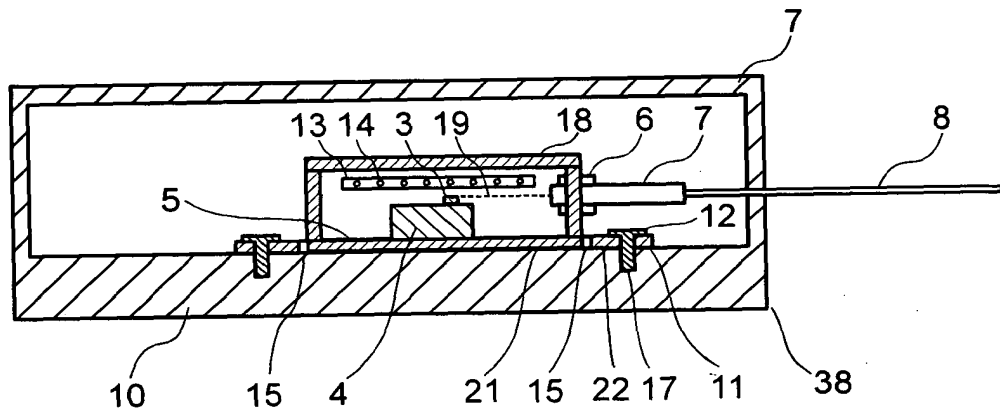


FIG.10



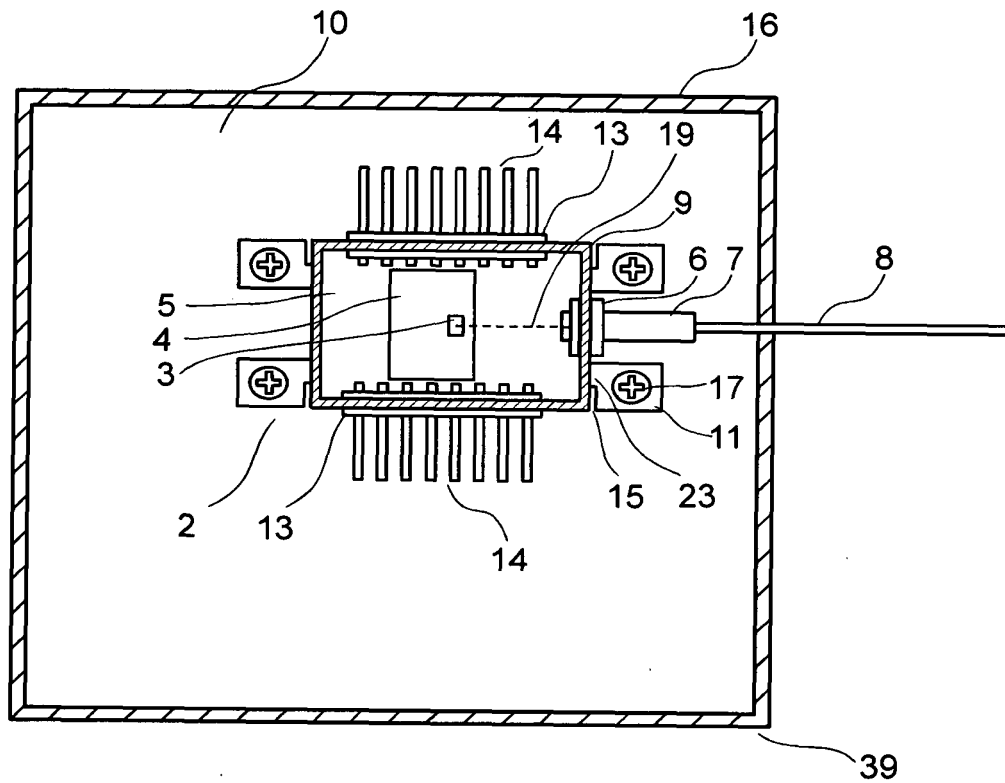
Applicant: Hiroshi MORIYA, et al.

Title: Semiconductor Laser Module and Optical Transmitter

Attorney Docket No. 16869N-085900US

Sheet 6 of 8

FIG. 11



Applicant: Hiroshi MORIYA, et al.

Title: Semiconductor Laser Module and Optical Transmitter

Atty Dock t No. 16869N-085900US

Sheet 7 of 8

FIG.12(a)

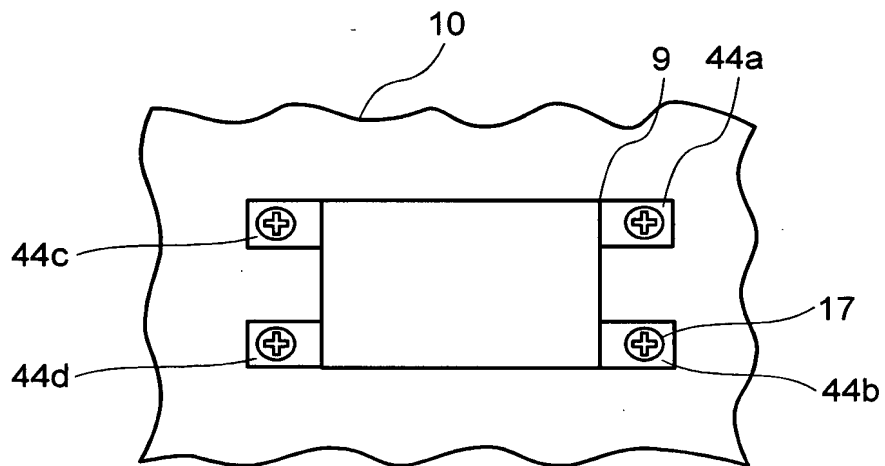
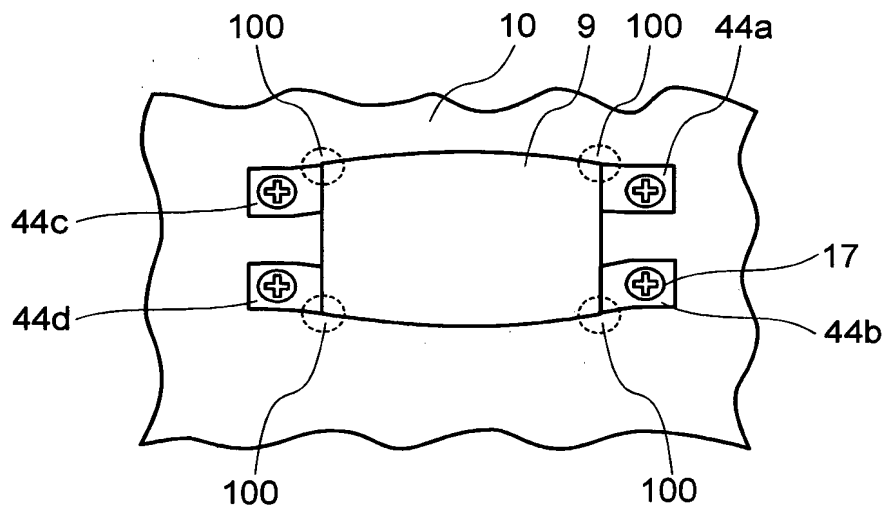


FIG.12(b)



Applicant: Hiroshi MORIYA, et al.

Title: Semiconductor Laser Module and Optical Transmitter

Atty Docket No. 16869N-085900US

Sheet 8 of 8

FIG.13(a)

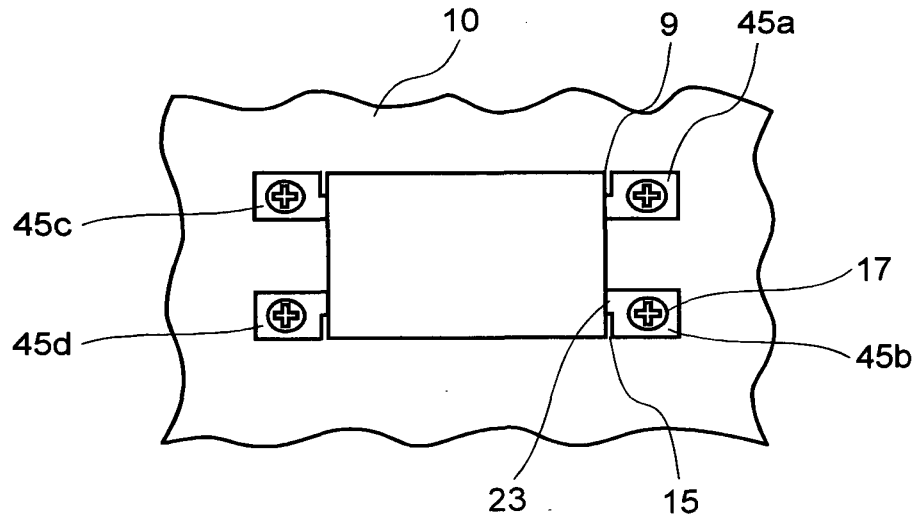


FIG.13(b)

